

2/2-WAY SOLENOID VALVE

TYPE 60



O₂ oxygene applications



DESCRIPTION

Valve type 60 is a compact 2/2-way pilot operated solenoid valve with an orifice of 10 mm for general applications with gases and liquids.

CONSTRUCTION

Body material	stainless steel
Internal parts	stainless steel
Sealing material	NBR, EPDM, FPM
Voltages	24 V DC, 24 V 50Hz, 230 V 50Hz
Connections	G3/8

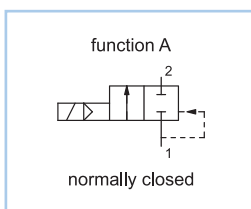
ON REQUEST

Valve for oxygene applications
 Non-standard coil voltages
 Higher ambient temperature range
 Non-standard equipment

SWITCHING PRESSURE

Ports	Normally closed in bar
G3/8 (DN 10)	0,02 - 12,0
See details on the website	

VARIANTS



DETAILED INFORMATION

General	
type of construction	2/2-way poppet valve, normally closed NC, coil 360° rotatable
operation	electrically
ports	G3/8
ambient temperature	-20°C to +50°C, higher acceptable ambient temperature range on request
fluid temperature	dependent on sealing material and coil
viscosity	max. 21 mm ² /s (cst)
material	body, plunger tube and internal parts: stainless steel sealing: see type selection
mounting	2 threads M4 on the bottom side
installation	in any position, preferable vertically fixed solenoid coil
unit of supply	without connector

Electrical	
voltage	DC voltage or AC voltage
standard voltages	24 V DC, 24 V 50Hz, 230 V 50Hz
non-standard voltage on request	6 V - 200 V DC, 12V - 240 V 50Hz or 60Hz
acceptable voltage tolerance	±10%
power consumption	see specifications at solenoid coils
coil temperature classification	temperature class F (155°C), winding class H (180°C)
duty cycle	100%, continuous operation
protection class	IP65 according DIN EN 60529 (DIN 40060) with correctly mounted connector

Pneumatic – Hydraulic	
fluid	all liquids and gases, non-aggressive to the used material
max. valve body pressure	PN 25
response time	depending on operating pressure and fluid
non-standard equipment on request	coil type with cable, coils for temperature class H (180°C)

2/2-WAY SOLENOID VALVE

TYPE 60



O_2 oxygene applications

CONFIGURATION & PRESSURE RANGE

Coil power consumption at 20°C			
coil type	inrush power 50Hz in VA	rated power 50Hz in VA	power DC in W
C2DA	13	10	6,5
C3AA	17	13	6,3
E1AA	32	14	12
E2AA	42	19	17
E3AE	70	32	27

Sealing material	Code	Fluid temperature	Applicable for
NBR (Perbunan)	B	-10°C to 80°C	neutral gases and liquids
EPDM	E	-10°C to 130°C	hot water, steam, not for oil and grease
FPM	V	-10°C to 130°C	oil, petrol, oxygen

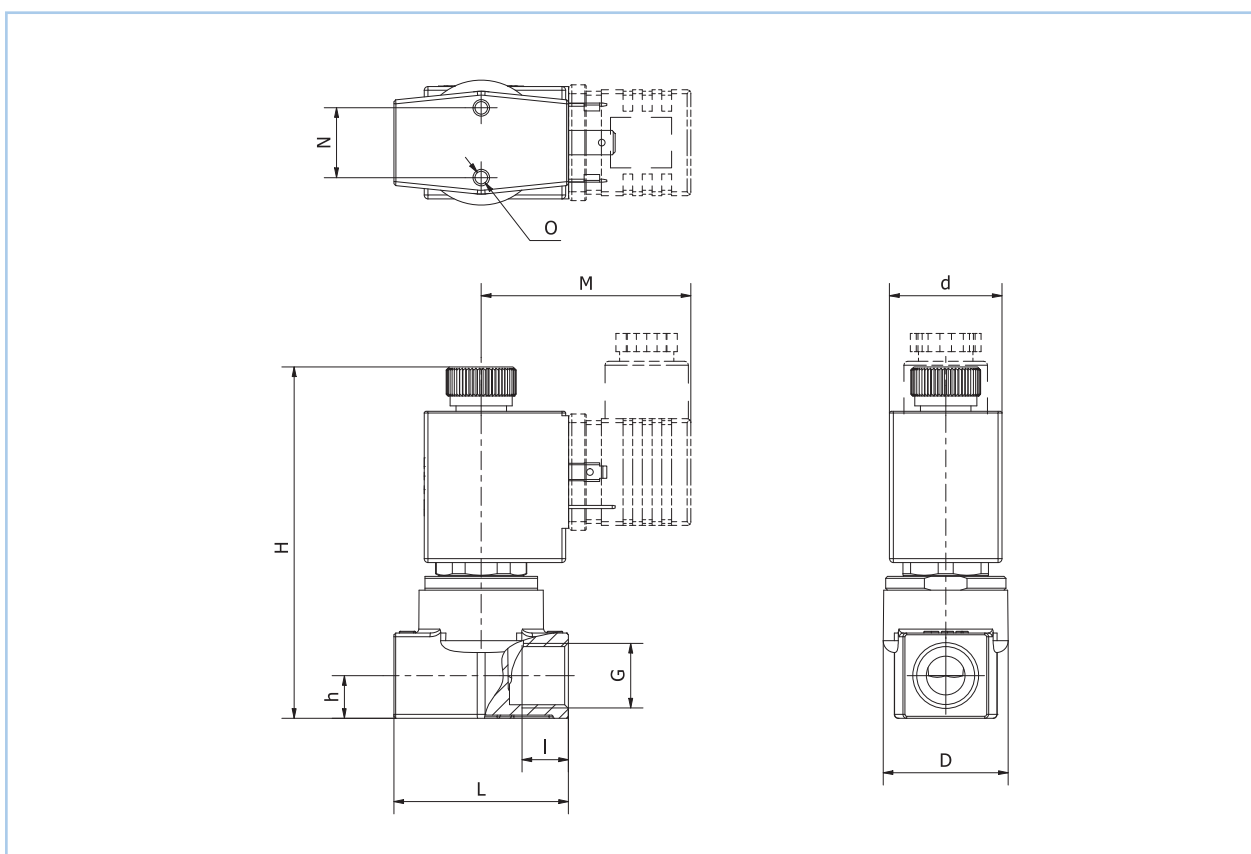
NORMALLY CLOSED VALVES

Type 60A, normally closed														
type (order- no.)	NW DN in mm	ports	maximum differential pressure in bar										kv- value in m ³ /h	
			coil C2DA		coil C3AA		coil E1AA		coil E2AA		coil E3AE			
			50Hz	DC	50Hz	DC	50Hz	DC	50Hz	DC	50Hz	DC		
60A-3-A...	10	G3/8	0,02 - 9	-	0,02 - 10	0,02 - 1	0,02 - 12	0,02 - 10	0,02 - 12	0,02 - 12	0,02 - 12	0,02 - 12	0,02 - 12	1,70

ORDER CODE

Type 60A, normally closed										
order code	60	A	-	3	B	-	A	E1AA	02400	
Code decoding										
type	type 60, pilot operated, body: brass, plunger tube: stainless steel									
function	A = normally closed									
ports	3 = G3/8									
seal material	B = NBR (Perbunan), E = EPDM, V = FPM									
short circuit ring	A = copper short circuit ring, X = without short circuit ring									
coil type	see specifications of the particular coil									
supply voltage	always 5-digits, see code for standard voltage									

DIMENSIONS



Dimension table for type 60 in mm, approx. weight in g

type	G	d	D	h	H	I	L	M	N	O	approx. weight in g
60A-3-AE1AA	G3/8	30	32,5	11	88	12	45	54	18	M4	360