

# 2/2-WAY SOLENOID VALVE

## TYPE 27



O<sub>2</sub> oxygene applications



### DESCRIPTION

Valve type 27 is a 2/2-way direct acting solenoid valve for general applications with gases and liquids for lower pressure and high flow rates.

### CONSTRUCTION

Body material	brass
Internal parts	brass and stainless steel
Sealing material	NBR, EPDM, FPM
Voltages	24 V DC, 24 V 50Hz, 230 V 50Hz
Connections	G3/8 - G1

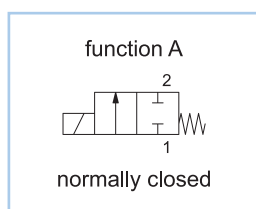
### ON REQUEST

Valve for oxygene applications  
 Non-standard coil voltages  
 Higher ambient temperature range  
 Non-standard equipment

### SWITCHING PRESSURE

Ports	Normally closed in mbar
G3/8	1150
G1/2	1150
G3/4	1050
G1	550
See details on the website	

### VARIANTS



## DETAILED INFORMATION

General	
type of construction	2/2-way poppet valve, normally closed NC, coil 360° rotatable
operation	electrically
ports	G3/8 - G1
ambient temperature	-20°C to +50°C, higher acceptable ambient temperature range on request
fluid temperature	dependent on sealing material and coil
viscosity	max. 21 mm <sup>2</sup> /s (cst)
material	body: brass plunger tube: AISI 303 internal parts: brass and stainless steel sealing: see type selection
mounting	installation into fixed piping systems
installation	only with vertical solenoid coil
unit of supply	without connector

Electrical	
voltage	DC voltage or AC voltage
standard voltages	24 V DC, 24 V 50Hz, 230 V 50Hz
non-standard voltage on request	6 V - 200 V DC, 12 V - 240 V 50Hz or 60Hz
acceptable voltage tolerance	±10%
power consumption	see specifications at solenoid coils
coil temperature classification	temperature class F (155°C), winding class H (180°C)
duty cycle	100%, continuous operation
protection class	IP65 according DIN EN 60529 (DIN 40050) with correctly mounted connector

Pneumatic – Hydraulic	
fluid	all liquids and gases, non-aggressive to the used material
max. valve body pressure	PN 16
response time	depending on operating pressure and fluid
non-standard equipment on request	coil type with cable, manual override, bright nickel-plated or chemical nickel-plated

# 2/2-WAY SOLENOID VALVE

## TYPE 27



$O_2$  oxygene applications

### CONFIGURATION & PRESSURE RANGE

Coil power consumption at 20°C			
coil type	inrush power 50Hz in VA	rated power 50Hz in VA	power DC in W
E3AE	70	32	27
F1AA	70	35	27
G1AA	80	40	32

Sealing material	Code	Fluid temperature	Applicable for
NBR (Perbunan)	B	-10°C to 80°C	neutral gases and liquids
EPDM	E	-10°C to 130°C	hot water, steam, not for oil and grease
FPM	V	-10°C to 130°C	oil, petrol, oxygen

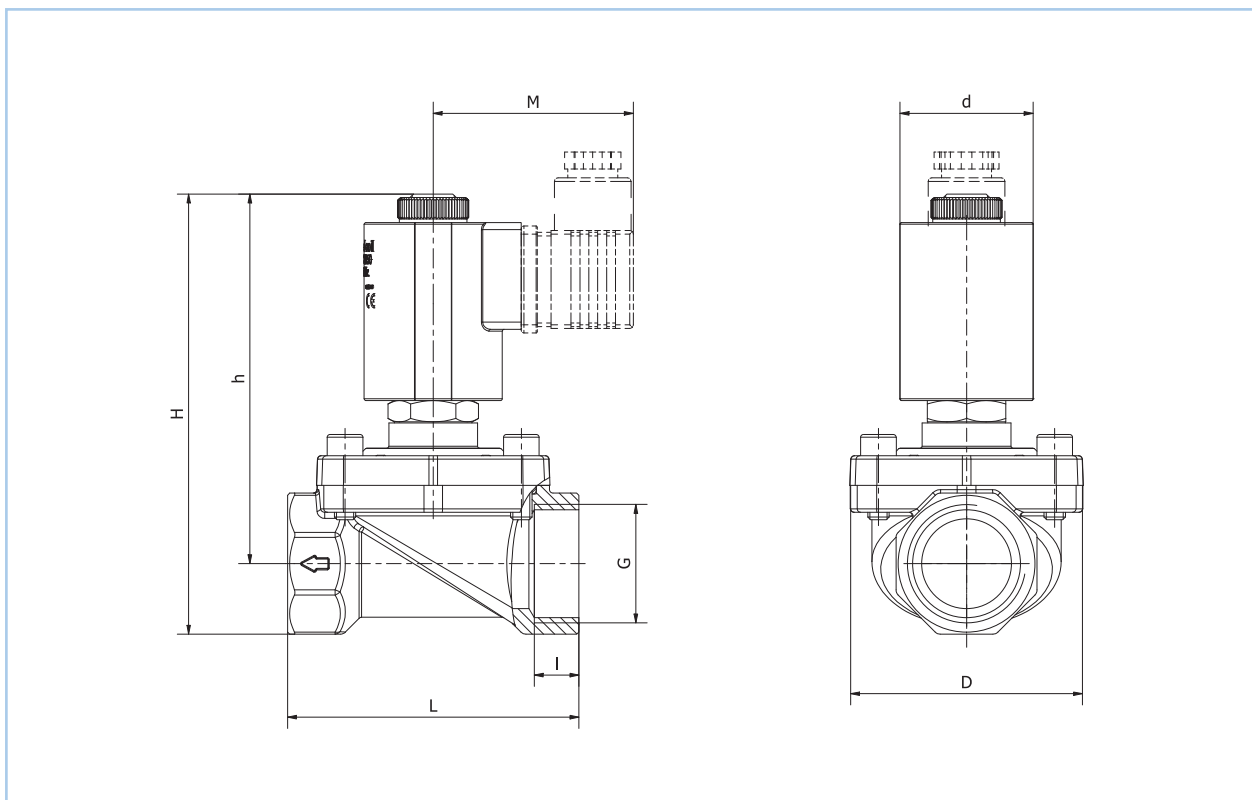
### NORMALLY CLOSED VALVES

Type 27A, normally closed									
type (order-no.)	NW DN in mm	ports	maximum differential pressure in mbar						kv-value in m <sup>3</sup> /h
			coil E3AE		coil F1AA		coil G1AA		
			50Hz	DC	50Hz	DC	50Hz	DC	
27A-3-A...	16	G3/8	550	200	840	300	1150	700	2,95
27A-4-A...	16	G1/2	550	200	840	300	1150	700	3,50
27A-5-A...	20	G3/4	360	120	600	170	1050	350	4,70
27A-6-A...	25	G1	240	90	280	90	550	200	7,40

## ORDER CODE

Type 27A, normally closed										
order code	27	A	-	6	B	-	A	E3AE	23050	
Code decoding										
type	type 27, direct operated, body: brass, plunger tube: stainless steel									
function	A = normally closed									
ports	3 = G3/8, 4 = G1/2, 5 = G3/4, 6 = G1									
seal material	B = NBR (Perbunan), E = EPDM, V = FPM									
short circuit ring	A = copper short circuit ring, X = without short circuit ring									
coil type	see specifications of the particular coil									
supply voltage	always 5-digits, see code for standard voltage									

## DIMENSIONS



Dimension table for type 27 in mm, approx. weight in g

type	G	d			D	h			H	I	L	M			approx. weight in g		
		E3	F1	G1		E3	F1	G1				E3	F1	G1	E3	F1	G1
27A-3-A	G3/8	36	39	46	45	87	97	120	14	12	60	54	55	61	530	540	710
27A-4-A	G1/2	36	39	46	45	87	97	120	14	12	60	54	55	61	530	520	690
27A-5-A	G3/4	36	39	46	50	91	101	124	16	11	62	54	55	61	550	570	740
27A-6-A	G1	36	39	46	65	95	105	128	20	11	82	54	55	61	870	880	1 050